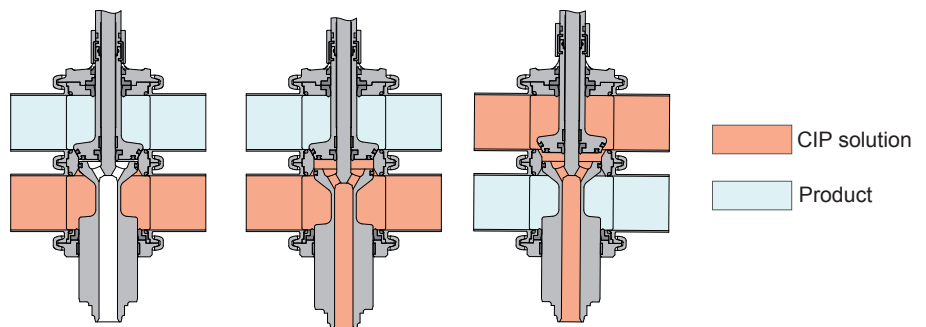




I Application

The INNOVA P-type valve is a pneumatic shut-off double seat valve for hygienic applications. The leakage chamber, under atmospheric pressure, situated between the two seats ensures a safe interface between the two liquids, one of which is usually a CIP solution (cleaning agent).

The leakage chamber can be cleaned by independent lifting of the seats during the CIP cleaning of the line.



I Design and features

- Hygienic design according to EHEDG.
- No leakage during the opening/closing of the valve.
- Balanced lower seat.
- Single-acting pneumatic actuator.
- Easy assembly/disassembly of internal parts by loosening a clamp fastener.
- Open lantern allows visual inspection of shaft sealing.
- 360° adjustable body.



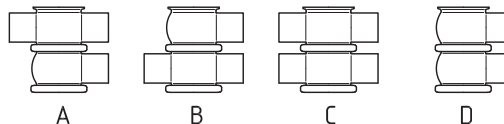
I Technical specifications

Materials:		
Parts in contact with the product	Stainless steel AISI 316L (1.4404)	
Other stainless steel parts	Stainless steel AISI 304 (1.4301)	
Gasket	EPDM (according to FDA and EC 1935/2004)	
Surface finish:		
Internal	Bright polish Ra ≤ 0,8 μm	
External	Matt	
Available sizes:		
DIN 11850	DN 40 - DN 100	
ASME BPE	OD 1½" - OD 4"	
Connections	Weld	
Operating limits:		
Temperature range	-10 °C to+ 121 °C (EPDM)	14 °F to 250°F
	+140 °C (SIP, max. 30 min)	284 °F
Maximum working pressure	10 bar	145 PSI
Minimum working pressure	Vacuum	
Compressed air pressure	6-8 bar	87-116 PSI

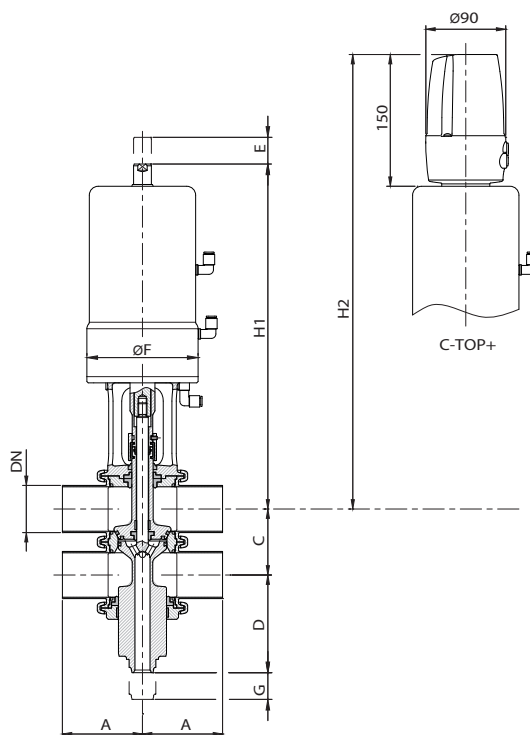
I Options

Gaskets: FPM, HNBR.
 Other connection types.
 C-TOP+ control unit.
 External position sensors.
 Internal surface finish: Ra ≤ 0,5 µm.

I Housing combinations



I Dimensions



	DN	Pipe ϕ	A	C	D	ϕF	E	G	H ₁	H ₂
DIN	40	41 x 1,5	85	62	86	125	22	7	382	507
	50	53 x 1,5	90	74	104	125	30	7	388	513
	65	70 x 2	110	92	141	161	34	9	471	587
	80	85 x 2	125	107	140	161	36	9	464	588
	100	104 x 2	150	127	175	193	52	10	528	649
OD	1½"	38,1 x 1,65	85	59	88	125	22	7	383	505
	2"	50,8 x 1,65	90	72	118	125	30	7	383	505
	2½"	63,5 x 1,65	110	86	143	161	34	9	474	584
	3"	76,2 x 1,65	125	99	144	161	36	9	468	584
	4"	101,6 x 2,11	150	124	176	193	52	10	530	648

