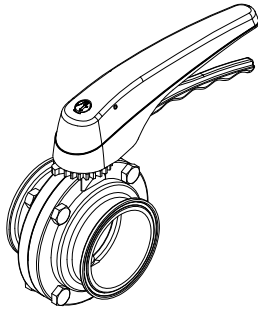


ESPECIFICACIONES TÉCNICAS

PRINCIPIO FUNCIONAMIENTO



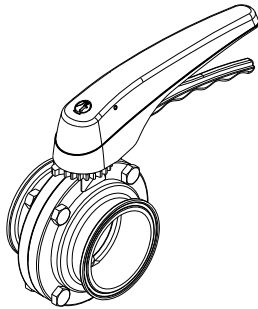
- Una válvula de mariposa, es una válvula de cierre, totalmente higiénica, que se puede utilizar en las mayorías de aplicaciones de productos líquidos en la industria alimentaria, farmacéutica y química.
- Disponible con múltiples opciones de accionamiento, manual, neumático o eléctrico.
- Existe la opción de suministrar esta válvula con varias opciones de control, cabezales, detectores exteriores...

CARACTERÍSTICAS TÉCNICAS

MATERIAL	- Acero inoxidable AISI 316L o AISI 304L (partiendo de piezas forjadas).														
MATERIAL JUNTA	- EPDM, otros materiales como MVQ (Silicona), FPM (Viton), NBR, bajo pedido.														
ACABADO	- Acabado interior mecanizado, exterior pulido.														
CONEXIONES	- Standard, conexiones DIN 11851, Soldar, FIL-IDF,BS-RJT, SMS, CL, Bidas														
TEMPERATURA DE TRABAJO	- Máxima: 120°C. (EPDM) - Para temperaturas superiores se aplicarán otras calidades de juntas														
PRESIÓN MÁX. TRABAJO	DN-10 a 100 / DN-½" a 4" 10 bar					DN-125 a 150 / DN-5" a 6" 8 bar					DN-200 / DN-8" 5 bar				
PRESIÓN MÁX. VACIO	DN-10 a 200 / DN-½" a 8" 0,2 bar														
PAR MANIOBRA	10	15	20	25	32	40	50	2½"	65	3"	80	100	125	150	200
	6	6	6	8	10	10	14	15	18	18	20	25	55	70	90

TECHNICAL FEATURES

WORKING PRINCIPLE



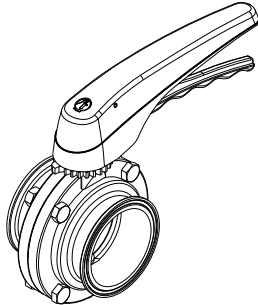
- A butterfly valve, is a valve of closing, totally hygienic, that can be used in the majorities of applications of liquid products in the nourishing industry, pharmaceutical and chemical.
- Available with multiple options of drive, manual , pneumatic or electric.
- The option exists to provide this outer valve with several options of control, mall pillows, detectors...

TECHNICAL FEATURES

MATERIAL	- Stainless steel AISI 316L or AISI 304L (starting off of forged pieces).															
SEAL MATERIAL	- EPDM, other materials like MVQ (Silicone), FPM (Viton), NBR, under order.															
FINISHING	- Finished inner mechanized, outer polished.															
CONNECTIONS	- Standard, connections DIN 11851, To weld, FIL-IDF, BS-RJT, SMS, CL, Flanges.															
TEMPERATURE OF WORK	- Max.: 120°C. (EPDM) - Other qualities of seals will be adapted for higher temperatures															
MÁX. WORKING PRESSURE	DN-10 a 100 / DN-½" a 4" 10 bar				DN-125 a 150 / DN-5" a 6" 8 bar				DN-200 / DN-8" 5 bar							
MÁX. WORKING VACUUM	DN-10 a 200 / DN-½" a 8" 0,2 bar															
OPERAT. TORQUE	10	15	20	25	32	40	50	2½"	65	3"	80	100	125	150	200	
	6	6	6	8	10	10	14	15	18	18	20	25	55	70	90	

CARACTERISTIQUES TECHNIQUES

PRINCIPE DE FONCTIONNEMENT



- Une vanne papillon est une vanne de fermeture, totalement hygiénique, qui peut être utilisée dans la majorité des applications de produit liquide dans l'industrie alimentaire, pharmaceutique et chimique.
- Disponible avec de multiples options de commande, manuelles pneumatiques ou électriques.
- Nous pouvons livrer différentes options de contrôle, boîtiers, détecteurs externes...

CARACTERISTIQUES TECHNIQUES

MATÉRIAL	- Acier inoxydable AISI 316L ou AISI 304L (à partir de pièces forgées).														
MATERIAU JOINTS	- EPDM, d'autres matériaux aiment MVQ (Silicone), FPM (Viton), NBR, sur commande.														
FINITION	- Intérieur finition usinée, externe poli.														
CONNECTIONS	- Standard, raccords DIN 11851, pour souder, FIL-IDF, BS-RJT, SMS,CL,Brides, Mâcom														
TEMPERATURE DE SERVICE	- Max.: 120°C. (EPDM) - Pour les températures supérieures d'autres qualités de joints seront appliquées.														
PRESSION MAX. SERVICE	DN-10 a 100 / DN-½" a 4" 10 bar					DN-125 a 150 / DN-5" a 6" 8 bar					DN-200 / DN-8" 5 bar				
PRESSION MAX. VIDE	DN-10 a 200 / DN-½" a 8" 0,2 bar														
COUPLE NOM	10	15	20	25	32	40	50	2½"	65	3"	80	100	125	150	200
	6	6	6	8	10	10	14	15	18	18	20	25	55	70	90

DIMENSIONES GENERALES/GENERAL DIMENSIONS/DIMENSIONS GÉNÉRALES

DIN

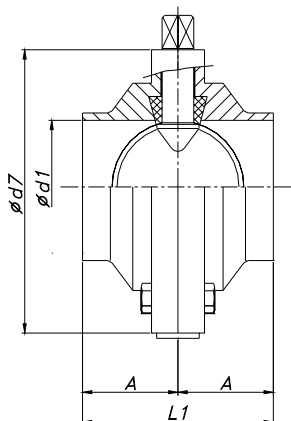
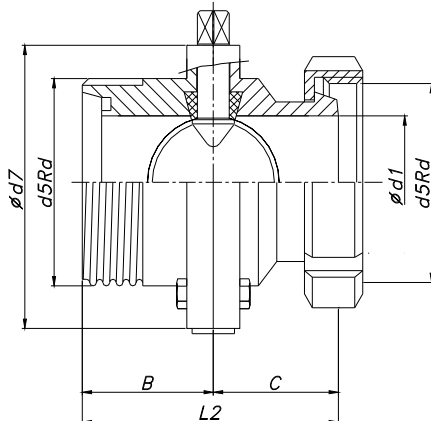
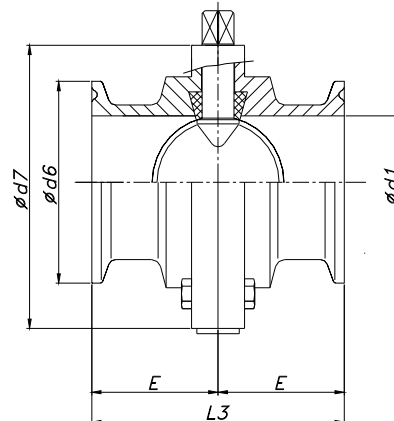


Fig 4800



**Fig 4813
 DIN 11851**

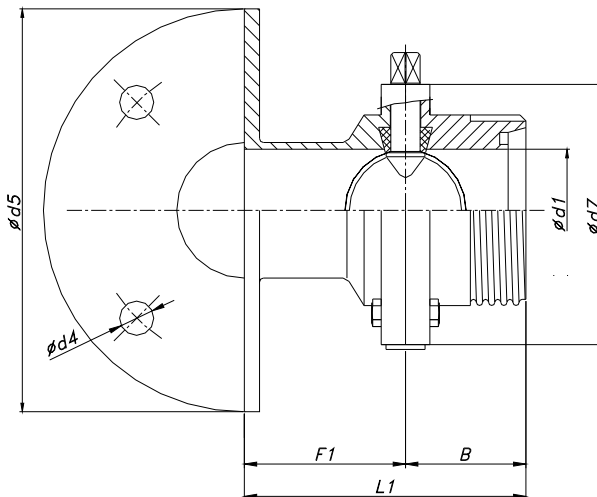
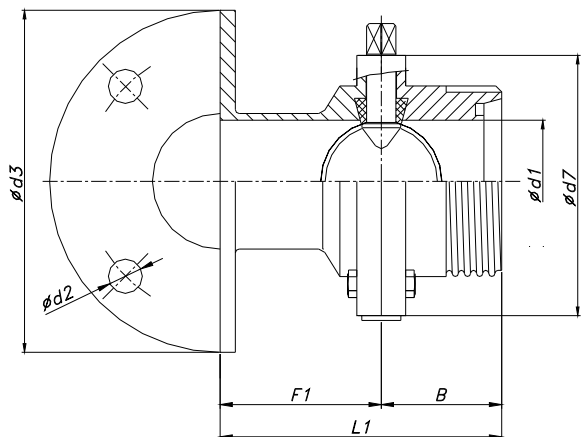


**Fig 42900
 DIN 32676**

DN	d1	d5Rd DIN 11851	d6 DIN 32676	d7	A	B	C	E	L1	L2	L3
10	10	Rd28x1/8"	34	62	20	28	37	28	40	65	56
15	16	Rd34x1/8"	34	62	20	28	37	28	40	65	56
20	20	Rd44x1/6"	34	72	20	30	38	30	40	68	60
25	26	Rd52x1/6"	50,5	87	20	32	42	32	40	74	64
32	32	Rd58x1/6"	50,5	92	21	32	46	32	42	78	64
40	38	Rd65x1/6"	50,5	97	25	36	51	36	50	87	72
50	50	Rd78x1/6"	64	110	25	36	53	36	50	89	72
65	66	Rd95x1/6"	91	127	25	38	57	38	50	95	76
80	81	Rd110x1/4"	106	142	30	45	67	45	60	112	90
100	100	Rd130x1/4"	119	162	30	47	74	47	60	121	94
125	125	Rd160x1/4"	155	191	55	55	89	55	110	144	110
150	150	Rd190x1/4"	183	240	66	66	101	66	132	167	132
200	200	-	233,5	284	74	-	-	78	148	-	156

DIMENSIONES GENERALES/GENERAL DIMENSIONS/DIMENSIONS GÉNÉRALES

DIN



**Fig 4817
 DIN 2573**

**Fig 4819
 DIN 2576**

DN	d1	DIN 2573 (PN-6L)		DIN 2576 (PN-10L)		d7	B	F1	L1	
		d2	d3	d4	d5					
10	10	11,5	75	14	90	62	28	60	88	
15	16		80		95					
20	20		90		105	72				30
25	26		100		115	87				32
32	32	14	120	18	140	92	32	60	92	
40	38		130		150	97	36	96		
50	50		140		165	110	36	96		
65	66		160		185	127	38	98		
80	81	18	190	22	200	142	45	80	125	
100	100		210		220	162	47	85	132	
125	125		-		250	191	55	90	145	
150	150		-		285	240	66	90	156	
200	200	-	-	-	340	284	-	90	-	

DIMENSIONES GENERALES/GENERAL DIMENSIONS/DIMENSIONS GÉNÉRALES

DIN

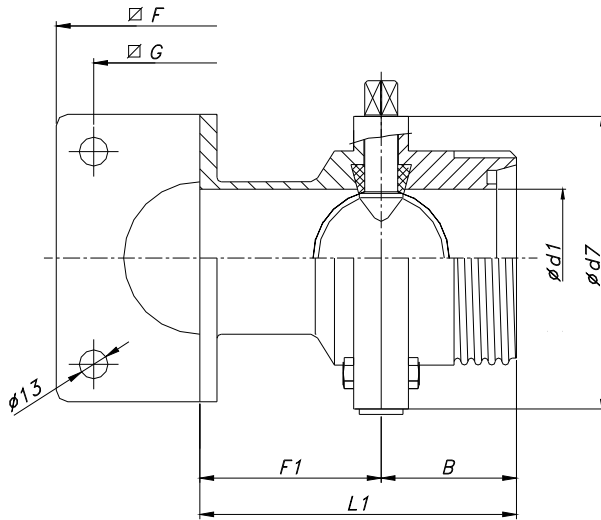


Fig 4818

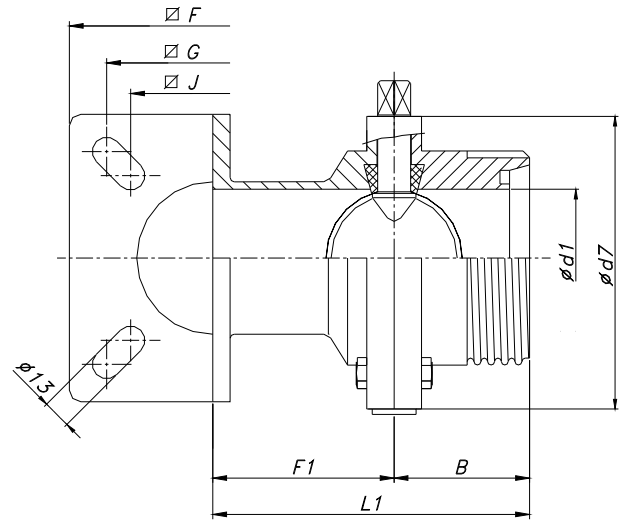


Fig 4818

DN	d1	Agujeros Redondos Round Holes Trous Ronds		Agujeros Oblicuos Oblique holes Trous oblongs			d7	B	F1	L1
		F	G	F	G	J				
40	38	100	75	100	75	60	97	36	65	101
50	50	100	75	100	75	60	110	36	65	101
65	66	120	90	120	100	76	127	38	65	103
80	81	140	102,5	140	116	100	142	45	72	117
100	100	140	102,5	140	116	100	162	47	72	119

DIMENSIONES GENERALES/GENERAL DIMENSIONS/DIMENSIONS GÉNÉRALES

PULGADAS-OD/INCHES-OD/POUCES-OD

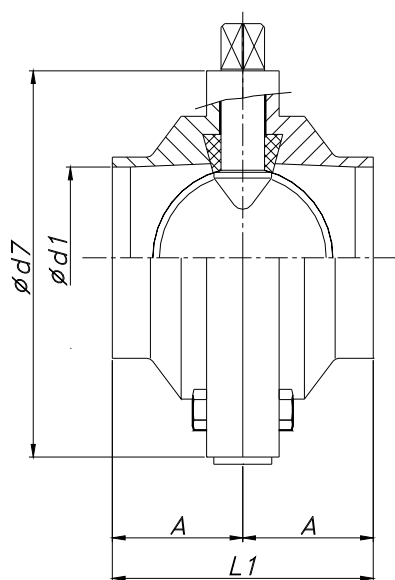


Fig 40900

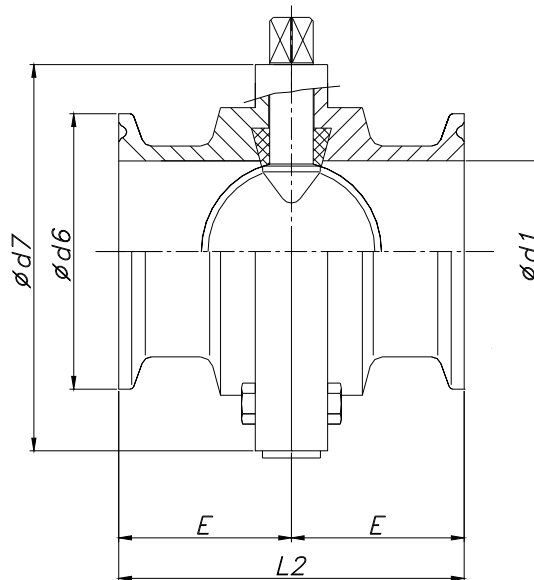


Fig 42900

DN	d1	d6	d7	A	E	L1	L2
½"	9,4	25,4	62	20	28	40	56
¾"	15,8	25,4	62	20	28	40	56
1"	22,1	50,5	87	20	32	40	64
1½"	34,9	50,5	97	25	36	50	72
2"	47,6	65	110	25	36	50	72
2½"	60,3	77,5	118	25	38	50	76
3"	72,9	91	131	25	38	50	76
4"	97,4	119	162	30	47	60	94
5"	123	144,4	191	55	55	110	110
6"	146,8	166,2	240	66	66	132	132
8"	197,7	217,4	284	74	78	148	156

DIMENSIONES GENERALES/GENERAL DIMENSIONS/DIMENSIONS GÉNÉRALES

SMS

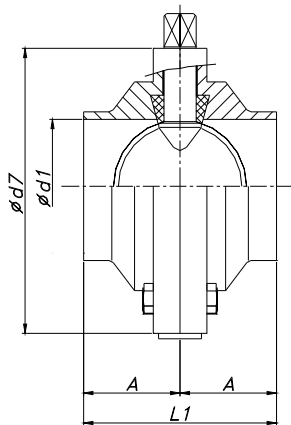


Fig 40900

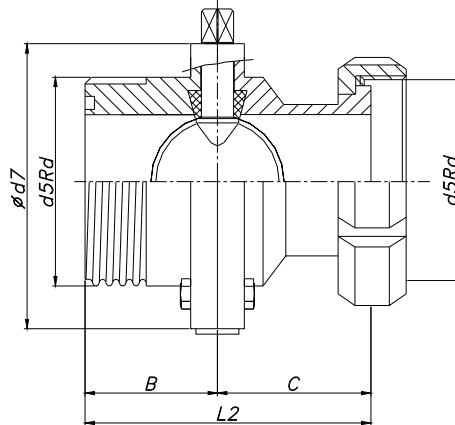


Fig 40073

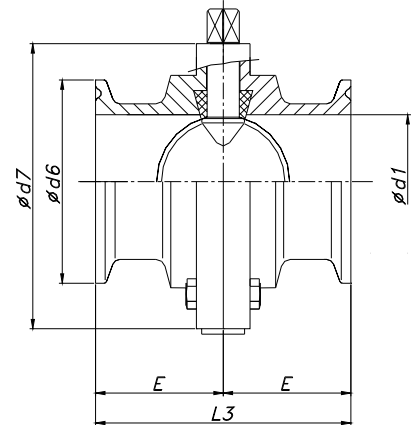


Fig 42900

DN	d1	d5Rd	d6	d7	A	B	C	E	L1	L2	L3
25	22,9	Rd40x1/6"	50,5	87	20	32	35	32	40	67	64
38	34,9	Rd60x1/6"	50,5	97	25	36	45	36	50	81	72
51	47,6	Rd70x1/6"	64	110	25	36	45	36	50	81	72
63,5	60,3	Rd85x1/6"	77,5	118	25	38	49	38	50	87	76
76	72,9	Rd98x1/6"	91	131	25	38	49	38	50	87	76
104	100	Rd125x1/4"	119	162	30	47	60	47	60	107	94
101,6	97,6	Rd132x1/6"	119	162	30	47	60	47	60	107	94

DIMENSIONES GENERALES/GENERAL DIMENSIONS/DIMENSIONS GÉNÉRALES

MACON

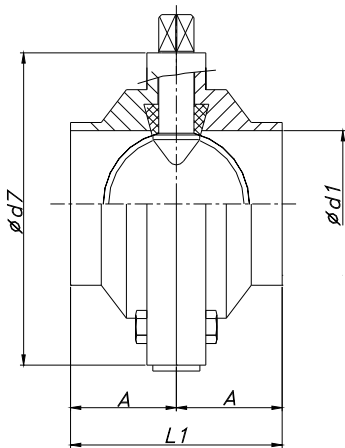


Fig 40900

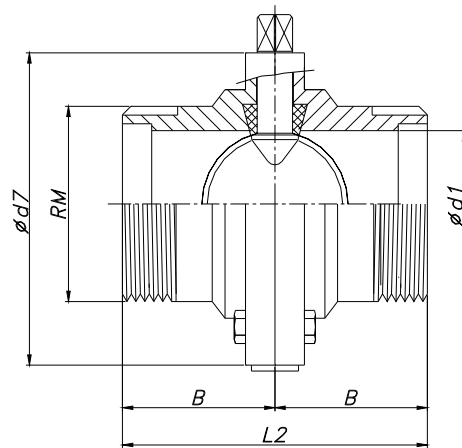


Fig 40911

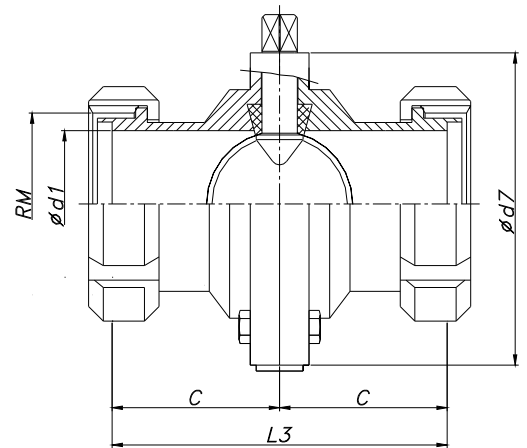


Fig 40933

DN	d1	RM	d7	A	B	C	L1	L2	L3
40	40	M55x3	97	25	36	51	50	72	102
50	50	M67x3	110	25	36	51	50	72	102
60	60	M79x3,5	118	25	38	51	50	76	102
70	70	M90x3,5	131	25	38	51	50	76	102
80	80	M102x4	142	30	45	49	60	90	98
100	100	M125x4	162	30	47	49	60	94	98

DIMENSIONES GENERALES/GENERAL DIMENSIONS/DIMENSIONS GÉNÉRALES

MACON

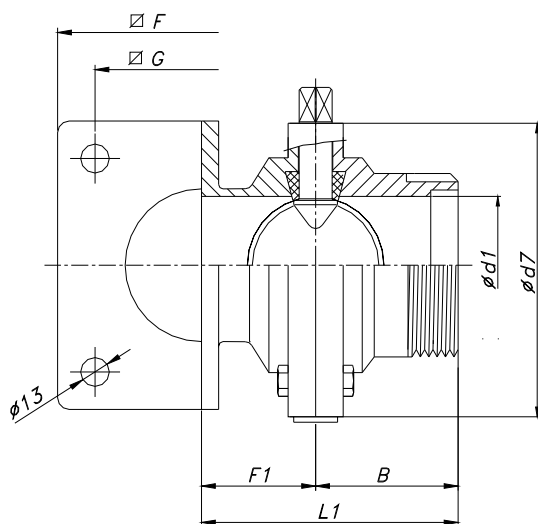


Fig 40918

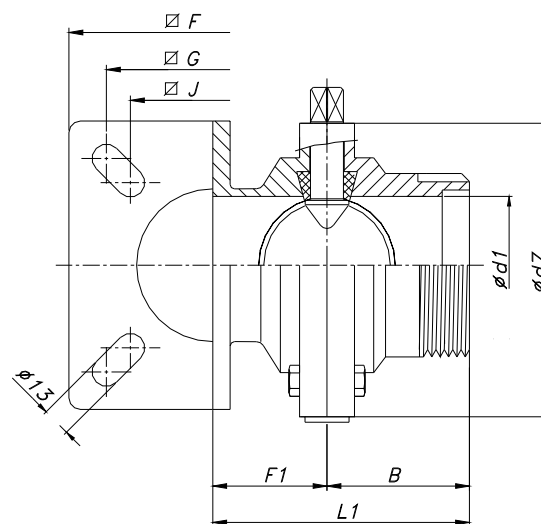


Fig 40918

DN	d1	Agujeros Redondos Round holes Trous ronds		Agujeros Oblicuos Oblique holes Trous oblongs			d7	B	F1	L1
		F	G	F	G	J				
40	40	100	75	100	75	60	97	36	65	101
50	50	100	75	100	75	60	110	36	65	101
60	60	120	82	120	100	76	118	38	65	103
70	70	120	90	120	100	76	131	38	65	103
80	80	140	102,5	140	116	100	142	45	65	110
100	100	140	102,5	140	116	100	162	47	65	112

DIMENSIONES GENERALES/GENERAL DIMENSIONS/DIMENSIONS GÉNÉRALES

RJT

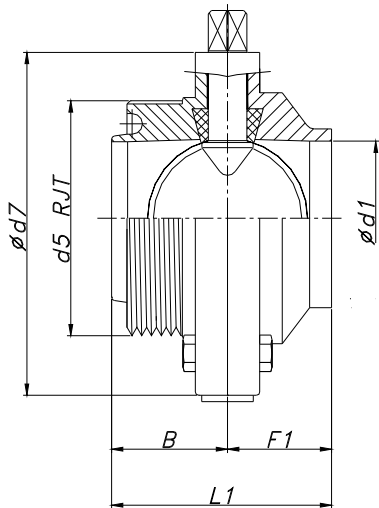


Fig 40060

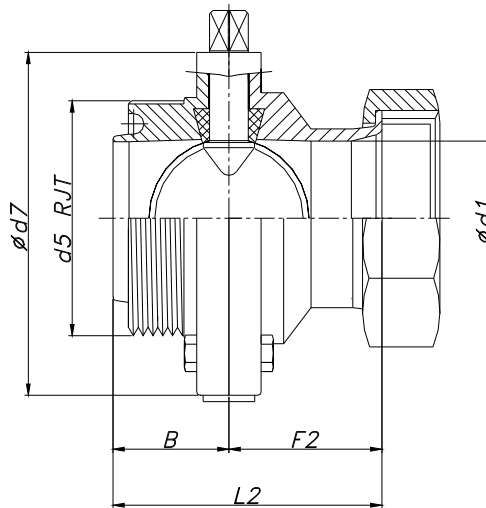


Fig 40063

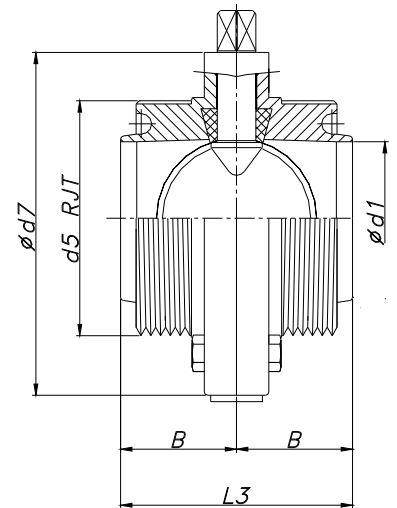


Fig 40066

DN	d1	d5 RJT	d7	B	F1	F2	L1	L2	L3
1"	22,2	46x1/8"W	87	39	20	30	59	69	78
1½"	34,9	58x1/8"W	97	42	25	36,5	67	78,5	84
2"	47,6	73x1/6"W	110	42	25	36,5	67	78,5	84
2½"	60,3	85x1/6"W	118	42	25	37,5	67	79,5	84
3"	73	98x1/6"W	131	42	25	38	67	80	84
4"	97,6	124x1/6"W	162	47	30	44,5	77	91,5	94

DIMENSIONES GENERALES/GENERAL DIMENSIONS/DIMENSIONS GÉNÉRALES

IDF

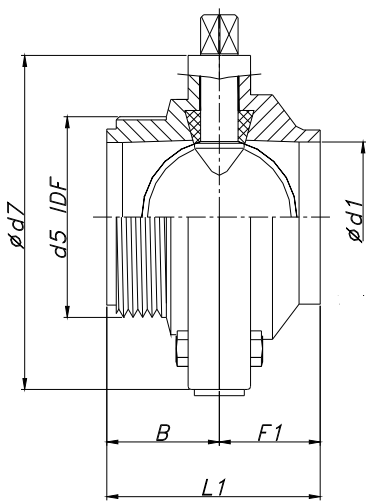


Fig 45010

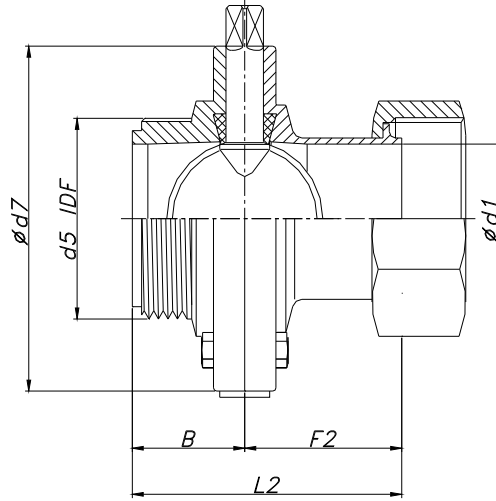


Fig 45013

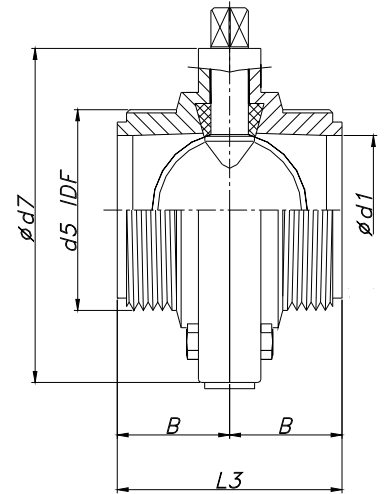


Fig 45011

DN	d1	d5 IDF	d7	B	F1	F2	L1	L2	L3
1"	22,2	37x1/8"	87	39	20	41,5	59	80,5	78
1½"	34,9	50,5x1/8"	97	36	25	46,5	61	82,5	72
2"	47,6	64x1/8"	110	36	25	46,5	61	82,5	72
2½"	60,3	77,5x1/8"	118	38	25	46,5	63	84,5	76
3"	73	91x1/8"	131	38	25	46,5	63	84,5	76
4"	97,5	118,2x1/8"	162	47	30	51,5	77	98,5	94
4"	97,5	125,9x1/6"	162	47	30	51,5	77	98,5	94

DIMENSIONES GENERALES/GENERAL DIMENSIONS/DIMENSIONS GÉNÉRALES

GAILLOT

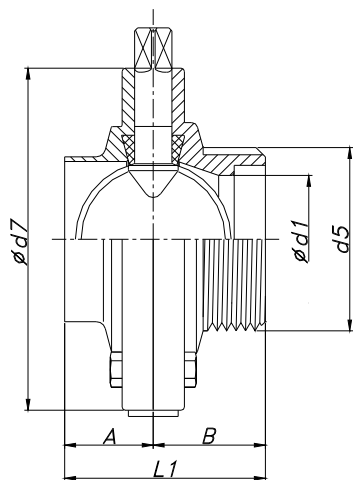


Fig 4890

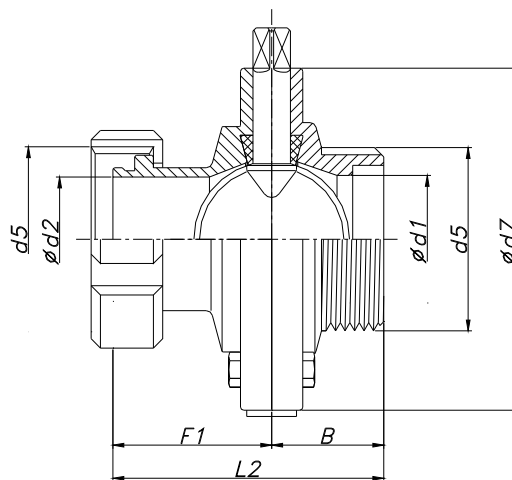


Fig 4893

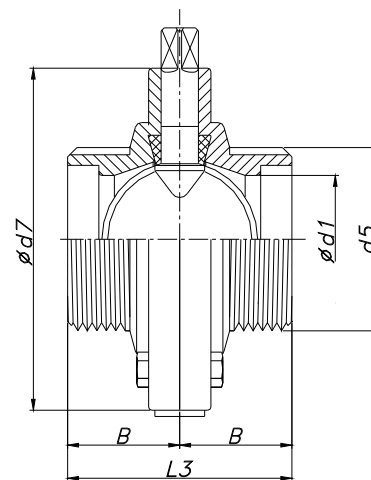


Fig 4899

DN	d1	d2	d5	d7	A	B	F1	L1	L2	L3
Nº2	35	35	54x1/8"W	97	25	36	51	61	87	72
Nº3 (40)	41	40	59x1/8"W	110	25	36	51	61	87	72
Nº4 (50)	44	44	66x1/8"W	110	25	36	51	61	87	72
Nº5 (2½")	54	54	81x1/8"W	118	25	38	57	63	95	76
Nº6 (3")	72	67	87,8x1/8"W	131	25	38	57	63	95	76

DIMENSIONES GENERALES/GENERAL DIMENSIONS/DIMENSIONS GÉNÉRALES

DS

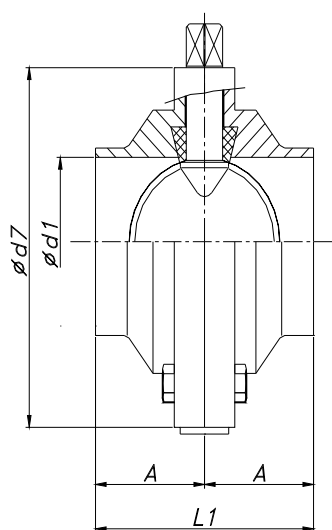


Fig 40900

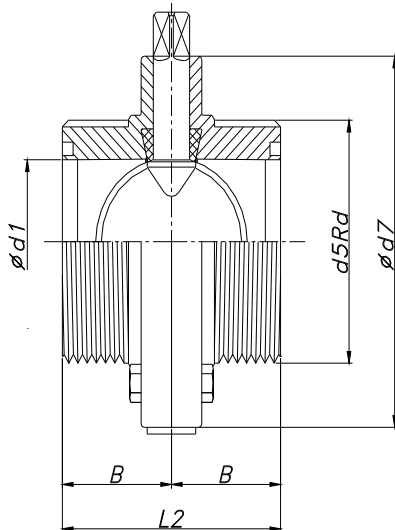


Fig 40055

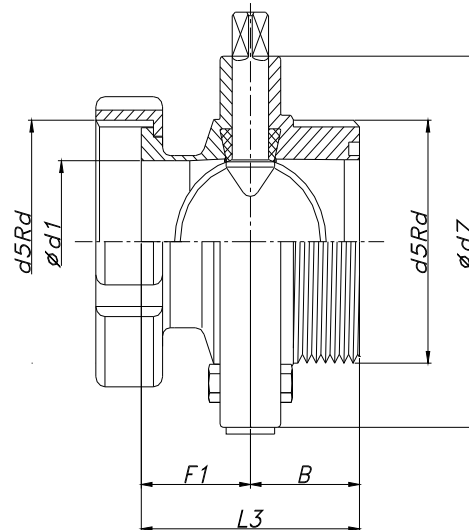


Fig 40053

DN	d1	d5Rd	d7	A	B	F1	L1	L2	L3
25	22,6	Rd44x1/6"	87	20	32	31	20	64	63
38	35,6	Rd58x1/6"	97	25	36	36	50	72	72
51	48,5	Rd72x1/6"	110	25	36	36	50	72	72
63,5	60,3	Rd88x1/6"	118	25	38	37	50	76	75
76,1	72,9	Rd100x1/6"	131	25	38	37	50	76	75
101,6	97,6	Rd130x1/6"	162	30	47	42	60	94	89

DIMENSIONES GENERALES/GENERAL DIMENSIONS/DIMENSIONS GÉNÉRALES

SANDWICH

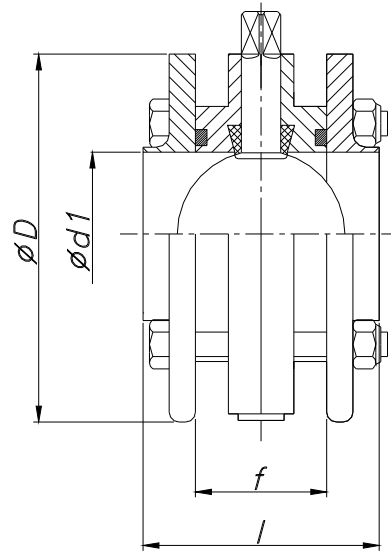


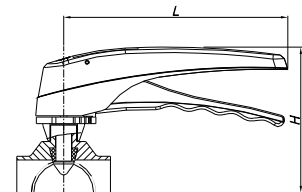
Fig 4900

DN	d1	D	l	f
25	26	93	68	40
32	32	98	68	40
40	38	103	68	40
50	50	115	72	40
65	66	132	72	40
80	81	145	80	40
100	100	165	80	40
125	125	191	120	70
150	150	240	120	90

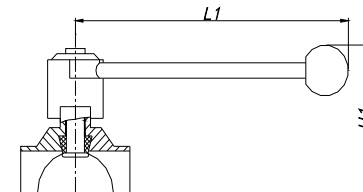
DN	d1	D	l	f
1"	22,1	93	68	40
1½"	34,9	103	68	40
2"	47,6	115	72	40
2½"	60,3	117	72	40
3"	72,9	132	72	40
4"	97,4	165	80	40
6"*	146,8	240	140	90

DIMENSIONES GENERALES/GENERAL DIMENSIONS/DIMENSIONS GÉNÉRALES

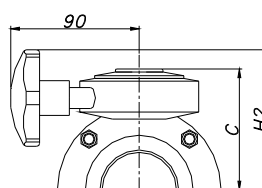
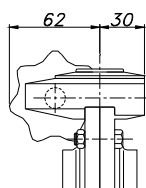
ACCIONAMIENTO MANUAL/MANUAL DRIVE/COMMANDE MANUELLE



Maneta multiposición de plástico.
Multiposition handle of plastic.
Poignée multiposition en plastique.



Maneta 2 posiciones.
Handle 2 positions.
Poignée 2 positions.



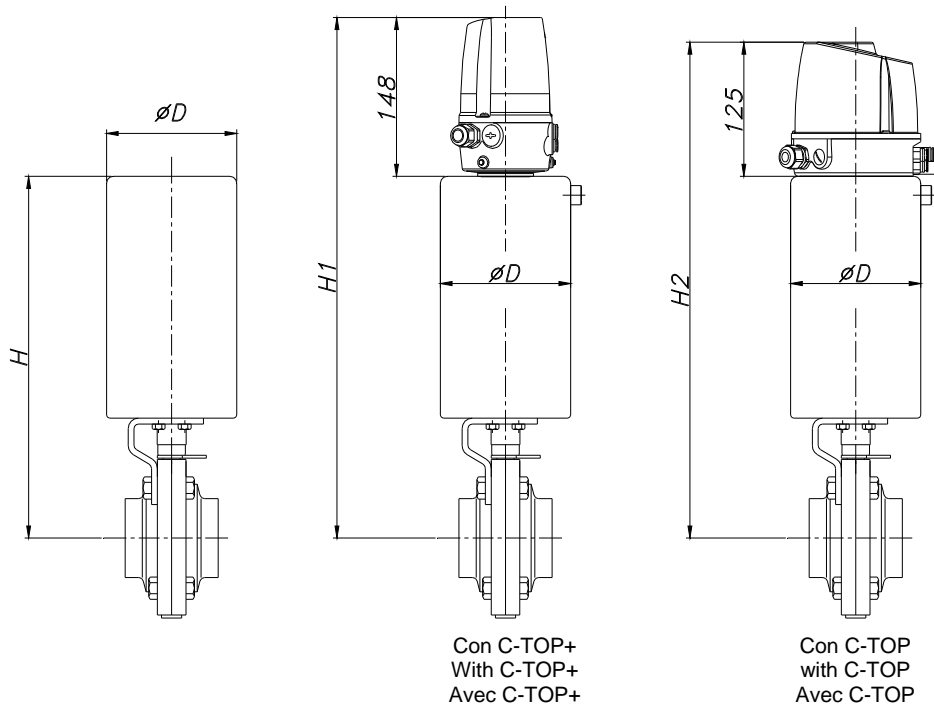
Maneta micrométrica.
Micrometric handle.
Poignée micrométrique.

DN	L	L1	H	H1	H2	C
10 / 1/2"	115	115	90	70	-	-
15 / 3/4"					-	-
20			95	75	-	-
25 / 1"	170	150	102	92	85	70
32			105	94	-	-
40 / 1 1/2"			107	95	90	75
50 / 2"			115	102	95	80
2 1/2"			125	105	97	82
65 / 3"			110	105	90	
80	180	180	130	124	110	100
100 / 4"			150	135	120	110
125	-	270	-	147	-	-
150	-	300	-	180	-	-
200 / 8"	-	325	-	250	-	-

*Consultar para otras opciones de manetas.
*Consult for other options of handle.
*Consulter pour d'autres options de poignées.

DIMENSIONES GENERALES/GENERAL DIMENSIONS/DIMENSIONS GÉNÉRALES

**ACTUADOR NEUMÁTICO VERTICAL INOX.
 VERTICAL PNEUMATIC ACTUATOR INOX.
 VERIN PNEUMATIQUE VERTICAL INOX.**

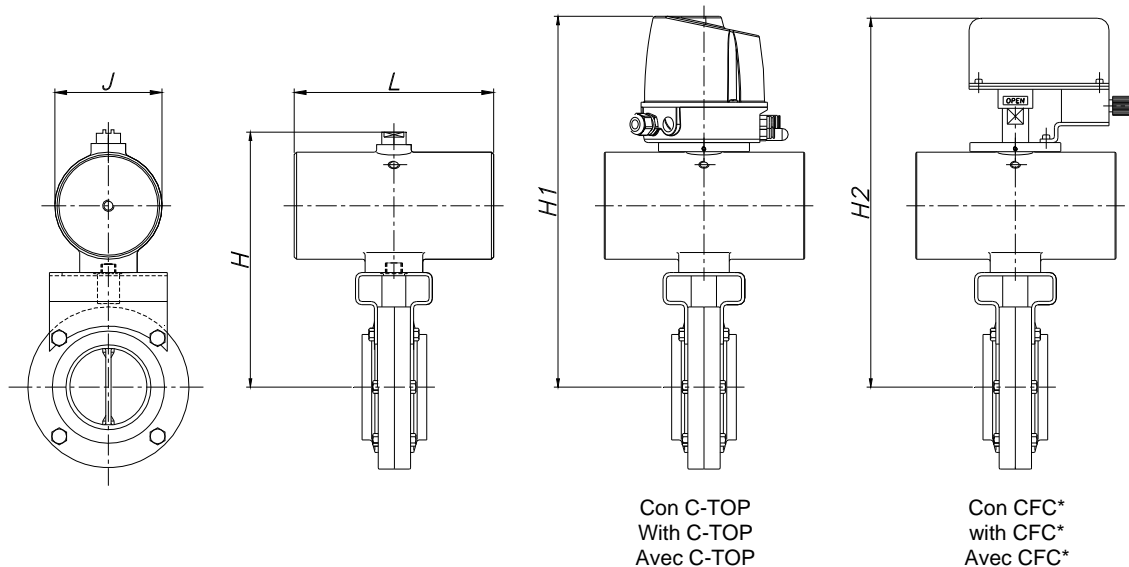


	T1	T2	T3
CONFIGURACIÓN STANDARD STANDARD CONFIGURATION CONFIGURATION STANDARD	DN 10 - 40 DN ½" - 1½"	DN 50 - 100 DN 2" - 4"	DN 125 - 200

DIN	OD	T1 (ØD = 70)			T2 (ØD = 90)			T3 (ØD = 133)		
		H	H1	H2	H	H1	H2	H	H1	H2
10	---	187	361	338	---	---	---	---	---	---
15	½"	187	361	338	---	---	---	---	---	---
20	¾"	192	366	343	---	---	---	---	---	---
25	1"	201	375	352	227	382	359	---	---	---
32	---	203	377	354	229	384	361	---	---	---
40	1 ½"	206	380	357	232	387	364	---	---	---
50	2"	---	---	---	238	393	370	---	---	---
---	2 ½"	---	---	---	242	397	374	---	---	---
65	---	---	---	---	247	402	379	---	---	---
---	3"	---	---	---	249	404	381	---	---	---
80	---	---	---	---	254	409	386	---	---	---
100	4"	---	---	---	264	419	396	---	---	---
125	5"	---	---	---	---	---	---	328	484	461
150	6"	---	---	---	---	---	---	352	508	485
200	8"	---	---	---	---	---	---	375	531	508

DIMENSIONES GENERALES/GENERAL DIMENSIONS/DIMENSIONS GÉNÉRALES

**ACTUADOR NEUMÁTICO HORIZONTAL INOX.
HORIZONTAL PNEUMATIC ACTUATOR INOX.
VERIN PNEUMATIQUE HORIZONTAL INOX.**



		H-008	H-012	H-020
SIMPLE EFECTO SINGLE ACTING SIMPLE EFFET	NC / NA NC / NO NC / NO	DN 10 - 80 DN ½" - 3"	DN 100 DN 4"	DN 125 - 150 DN 5" - 6"
DOBLE EFECTO DOUBLE ACTION DOUBLE EFFET	DE AA DE	DN 10 - 100 DN ½" - 4"	DN 125 - 150 DN 5" - 6"	DN 200 DN 8"

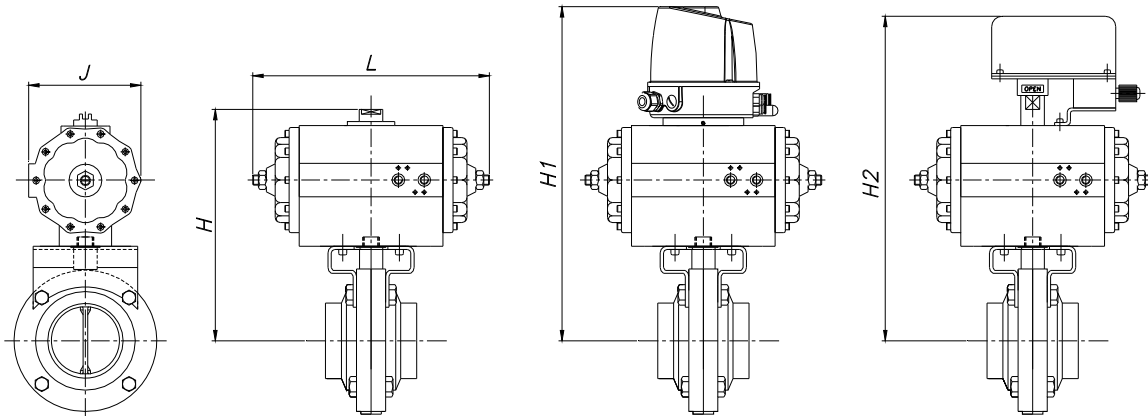
NC = Normalmente Cerrado / Normally Closed / Normalement Fermé
NO = Normalmente Abierto / Normally Open / Normalement Ouvert

DIN	OD	H-008 (J x L = 93 x 187)			H-012 (J x L = 93 x 187)			H-020 (J x L = 113 x 225)		
		H	H1	H2	H	H1	H2	H	H1	H2
10	---	199	316	284	---	---	---	---	---	---
15	½"	199	316	284	---	---	---	---	---	---
20	¾"	204	321	289	---	---	---	---	---	---
25	1"	211	328	296	---	---	---	---	---	---
32	---	213	330	298	---	---	---	---	---	---
40	1 ½"	216	333	301	---	---	---	---	---	---
50	2"	220	337	305	---	---	---	---	---	---
---	2 ½"	226	343	311	---	---	---	---	---	---
65	---	231	348	316	---	---	---	---	---	---
---	3"	234	351	319	---	---	---	---	---	---
80	---	239	356	324	---	---	---	---	---	---
100	4"	250	367	335	270	387	365	---	---	---
125	5"	---	---	---	283	400	368	283	400	378
150	6"	---	---	---	309	426	394	309	426	404
200	8"	---	---	---	---	---	---	331	448	426

*CFC= Caja final de carrera / Control box / Boîtier de contrôle

DIMENSIONES GENERALES/GENERAL DIMENSIONS/DIMENSIONS GÉNÉRALES

**ACTUADOR NEUMÁTICO HORIZONTAL ALUMINIO
HORIZONTAL PNEUMATIC ACTUATOR ALUMINIUM
VERIN PNEUMATIQUE HORIZONTAL ALUMINIUM**



Con C-TOP
With C-TOP
Avec C-TOP

Con CFC*
with CFC*
Avec CFC*

		H-003	H-005	H-008	H-012	H-020
SIMPLE EFECTO SINGLE ACTING SIMPLE EFFET	NC / NO NC / NO NC / NO	DN 10 - 20 DN ½" - ¾"	DN 25 - 40 DN 1" - 1½"	DN 50 - 80 DN 2" - 3"	DN 100 DN 4"	---
DOBLE EFECTO DOUBLE ACTION DOUBLE EFFET	DE AA DE	DN 10 - 20 DN ½" - ¾"	DN 25 - 80 DN 1" - 3"	DN 100 DN 4"	DN 125 - 150 DN 5" - 6"	DN 200 DN 8"

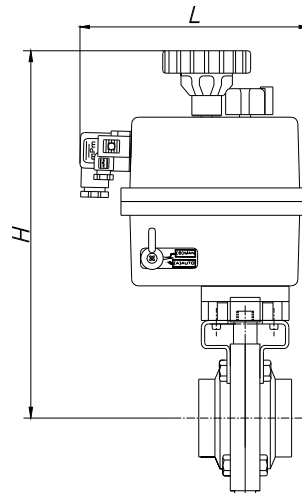
NC = Normalmente Cerrado / Normally Closed / Normalement Fermé
NO = Normalmente Abierto / Normally Open / Normalement Ouvert

DIN	OD	H-003 (J x L = 90 x 155)			H-005 (J x L = 90 x 180)			H-008 (J x L = 112 x 214)			H-012 (J x L = 133 x 239)			H-020 (J x L = 133 x 285)		
		H	H1	H2	H	H1	H2	H	H1	H2	H	H1	H2	H	H1	H2
10	---	180	297	270	---	---	---	---	---	---	---	---	---	---	---	---
15	½"	180	297	270	---	---	---	---	---	---	---	---	---	---	---	---
20	¾"	185	302	275	---	---	---	---	---	---	---	---	---	---	---	---
25	1"	---	---	---	192	309	282	---	---	---	---	---	---	---	---	---
32	---	---	---	---	194	311	284	---	---	---	---	---	---	---	---	---
40	1 ½"	---	---	---	197	314	287	---	---	---	---	---	---	---	---	---
50	2"	---	---	---	201	318	291	220	337	310	---	---	---	---	---	---
---	2 ½"	---	---	---	207	324	297	226	343	316	---	---	---	---	---	---
65	---	---	---	---	212	329	302	231	348	321	---	---	---	---	---	---
---	3"	---	---	---	214	331	304	233	350	323	---	---	---	---	---	---
80	---	---	---	---	219	336	309	238	355	328	---	---	---	---	---	---
100	4"	---	---	---	---	---	---	249	366	339	269	386	359	---	---	---
125	5"	---	---	---	---	---	---	---	---	---	283	400	373	---	---	---
150	6"	---	---	---	---	---	---	---	---	---	308	425	398	---	---	---
200	8"	---	---	---	---	---	---	---	---	---	---	---	---	331	448	421

*CFC= Caja final de carrera / Control box / Boîtier de contrôle

DIMENSIONES GENERALES/GENERAL DIMENSIONS/DIMENSIONS GÉNÉRALES

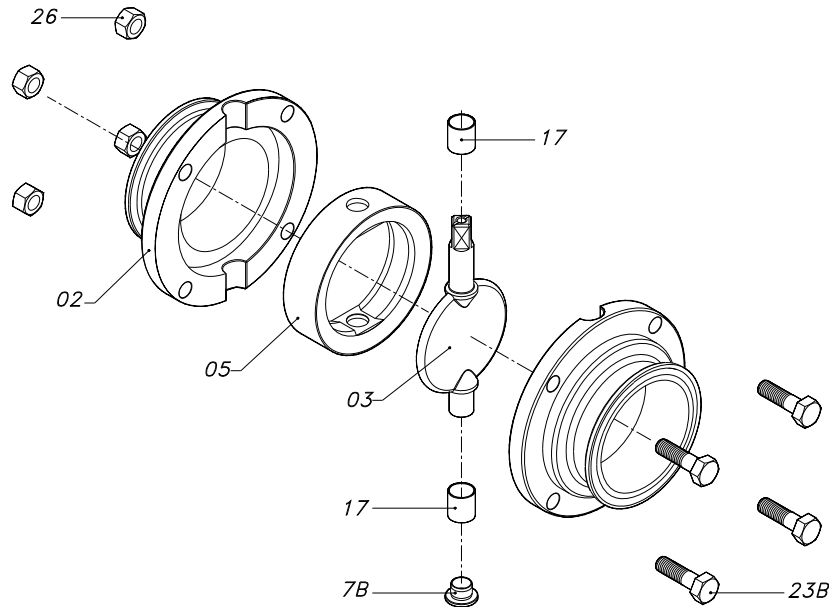
**ACTUADOR ELÉCTRICO
 ELECTRIC ACTUATOR
 VERIN ÉLECTRIQUE**



	U-0	R-0	R-1	R-2
CONFIGURACIÓN STANDARD STANDARD CONFIGURATION CONFIGURATION STANDARD	DN 25 DN 1"	DN 32 - 50 DN 1½" - 2½"	DN 65 - 100 DN 3" - 4"	DN 125 - 200 DN 5" - 8"

DIN	OD	H	L
10	---	---	---
15	½"	---	
20	¾"	---	
25	1"	235	169
32	---	237	
40	1 ½"	242	
50	2"	250	
---	2 ½"	251	
65	---	305	
---	3"	305	
80	---	310	
100	4"	320	
125	5"	395	
150	6"	415	235
200	8"	440	

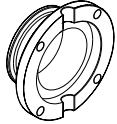
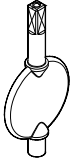

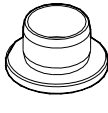
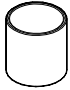
DESPIECE/SPARE PARTS/VUE ECLATÉE



POSICIÓN POSITION REPERE	DESIGNACIÓN DESIGNATION DESIGNATION	MATERIAL MATERIAL MATERIAU	CANTIDAD QUANTITE QUANTITY
02	Lateral / Flanges / Corps	AISI 304L / 316L	2
03	Mariposa / Butterfly / Papillon	AISI 316L	1
05*	Junta / Seal / Joint	EPDM	1
7B	Tapón / Plug / Bouchon	Plástico Plastic Plastique	1
17*	Casquillo / Socket / Douille	Iglidur-G	2
23B	Tornillo / Screw / Vis	A2	4/6
26	Tuerca / Nut / Ecrou	A2	4/6

*Piezas de recambio recomendadas/recommended spare parts/pièces de rechange recommandées.

LISTA DE PIEZAS/SPARE PARTS LIST/LISTE DE PIÈCES

DN	02	03	05*	7B	17*
					
10	1V480-02000*010	1V480-0300006015	1V480-0500052015	1P475-8268	-
½"	1V480-02001*015				-
¾"	1V480-02001*020				-
15	1V480-02000*015				-
20	1V480-02000*020	1V480-0300006020	1V480-0500052020		-
25	1V480-02000*025	1V480-0300006025	1V480-0500550025		1Z450-10122001
1"	1V480-02001*025				
32	1V480-02000*032	1V480-0300006032	1V480-0500550032		
40	1V480-02000*040	1V480-0300006040	1V480-0500550040		1Z450-12142001
1½"	1V480-02001*040				
50	1V480-02000*050	1V480-0300006050	1V480-0500550050	1P475-8276	1Z450-12142001
2"	1V480-02001*050				
65	1V480-02000*065				
2½"	1V48A-02001*063	1V48A-0300006063	1V480-0500150063V01		1Z450-12141501
3"	1V48A-02001*076	1V48A-0300006076	1V480-0500150076V01		1Z450-14161501
80	1V48A-02000*080	1V480-0300006080	1V480-0500550080	1P475-8291	1Z450-14162001
100	1V48A-02000*100	1V480-0300006100	1V480-0500550100		
4"	1V48A-02001*101				
125	1V480-02000*125	1V480-0300006125	1V480-0500050125	1P475-8298	1Z450-15171501
5"	1V480-02001*125				
150	1V480-02000*150	1V480-0300006150	1V480-0500550150		1Z450-15172501
6"	1V480-02001*150				
200	1V480-02000*200	1V480-0300006200	1V480-0500052200	1P475-8299	1Z450-18201501
8"	1V480-02001*200				

*Piezas de recambio recomendadas/recommended spare parts/pièces de rechange recommandées.
La posición 02 són laterales soldar/the position 02 are welding flange/la position 02 sont brides à souder.

CODIFICACIÓN/CODIFICATION/ CODIFICATION

Familia
Family
Familie

Codigó
Code
Code

V480

0

-

00

06

52

050

Diametro nominal / Nominal diametre / Diamètre nominal

.....		
025	DN 25	DN 25 (DN 1")
032	DN 32	DN 32 (DN 1 1/4") (GAILLOT N°2)
038	DN 1 1/2"	DN 1 1/2" (SMS DN38)
040	DN 40	DN 40 (GAILLOT n°3)
050	DN 50	DN 50 (GAILLOT n°4)
051	DN 2"	DN 2" (SMS DN51)
063	DN 2 1/2"	DN 2 1/2" (SMS DN 63.5) (GAILLOT n°5)
065	DN 65	DN 65
076	DN 3"	DN 3" (SMS DN 76) (GAILLOT N°6)
.....		

Material Junta / Material seal / Materiau joint

52 - EPDM (Estándar / Standard)
 43 - NBR
 61 - VMQ (Silicona)
 80 - FPM (Viton)

Material Válvula Material Valve / Materiau Vanne

04- AISI 304L
 06- AISI 316L

Conexiones / Connections / Conection

00 - S/S	S/S	S/S
10 - M/S	G/S	BF/S
11 - M/M	G/G	BF/BF
13 - M/T	G/KM	T/T
77 - CL/CL	CL/CL	CL/CL

Tipo Connexión / Type Connection / Type Conection

0 - DIN 11851	5 - ASEPTICO DIN 11864 PULGADAS
1 - OD ASME	6 - RJT UK
2 - SMS FRANCE	7 - MACON FRANCE
3 - GAS DIN 259	I - ISO 1127
4 - ASEPTICO DIN 11864	

Código Figura / Code Figure / Code Figure

V480 - Válvula Mariposa
 V48A - Válvula Mariposa '10
 V490 - Válvula Mariposa Sandwich

Ejemplo / Example / Exampel

- Válvula Mariposa DIN AISI 316L, conexiones soldar/soldar DN-50, junta EPDM
- Butterfly valve DIN AISI 316L, welding connections DN-50, EPDM gaskets
- Soupape de papillon DI N AISI 316L, souder conection DN-50, EPDM joints