



I Application

A clamp flat sight glass consists of a glass attached by means of a clamp. Sight glasses are fitted to tanks to inspect the product, level, course of the process, etc. They are widely used in the food-processing, cosmetics, pharmaceutical and fine chemicals industries.

I Design and features

Glass attached by a clamp.

Connections: Weld DIN 11850
Weld OD ASME BPE

I Materials

Casing	AISI 316L (1.4404)
Glass	Tempered
Adapter gasket	EPDM according to FDA 177.2600
Glass support gasket	EPDM
Surface finish	Sanitary polish, $Ra \leq 0,8 \mu m$

I Options

Gaskets: VMQ, NBR or FPM.

Connections: Clamp, SMS, FIL-IDF, BS-RJT, flanges, etc.

Borosilicate glass according to ISO 3585 and EN 1748 T1.

Double flat clamp sight glass.



I Technical specifications

Available sizes	DN 25 - DN 150	DN 1" - DN 6"		
Wax. working temperature	Gasket	EPDM	-10 °C to +120°C	14 °F to 248 °F
			+ 140 °C (SIP, max. 30 min)	284 °F
	Glass	Tempered	240 °C	464 °F
		Borosilicate	300 °C	572 °F

Max. working pressure [bar]:

DN	25/1"	32	40-1½"	50-2"	2½"	65-3"	80	4"	100	125	150-6"
Sight Glass with Tempered Glass	25	25	25	25	10	10	10	10	10	6	6
Sight Glass with Borosilicate Glass									7	4	2

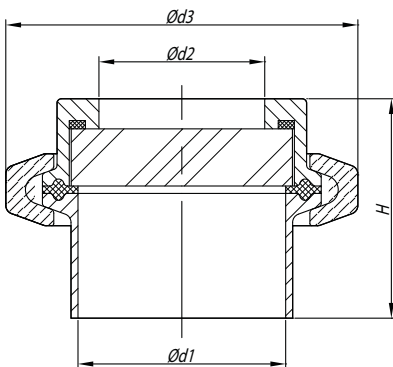
(Temperature and pressure values are approximate and may vary depending on product, gasket type and glass thickness)

I Dimensions

Weld for metric pipe according to DIN 11850

DN	ød1	ød2	Ød3	H	AISI 316L
25	26	23	68	45	L1827-000652025
32	32	25	68		L1827-000652032
40	38	25,5	68		L1827-000652040
50	50	38	81		L1827-000652050
65	66	63,5	108	51,5	L1827-000652065
80	81	72	125		L1827-000652080
100	100	90,5	136		L1827-000652100
125	125	117,5	175		L1827-000652125
150	150	142,5	205		L1827-000652150

(Dimensions in mm)



Weld for OD pipe accordig to ASME BPE

DN	ød1	ød2	Ød3	H	AISI 316L
1"	22,1	23	68	52	L1817-000652025
1½"	34,8	25,5	68		L1817-000652040
2"	47,5	38	81		L1817-000652050
2½"	60,2	51,5	94		L1817-000652063
3"	72,9	63,5	108		L1817-000652076
4"	97,4	88	136		L1817-000652100
6"	146,8	142,5	205		L1817-000652150

(Dimensions in mm)

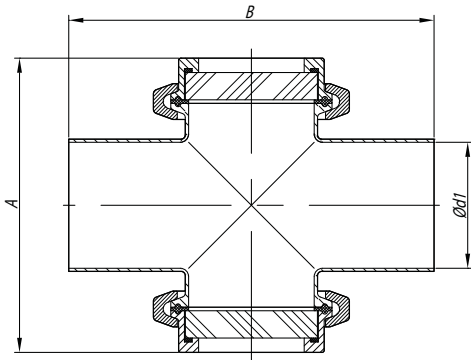


The information contained in this brochure is for guidance only. We reserve the right to modify any material or feature without notice in advance. For further information, please, consult our web site. www.inoxpa.com



I Dimensions

Double flat clamp sight glass



Weld for metric pipe according to DIN 11850

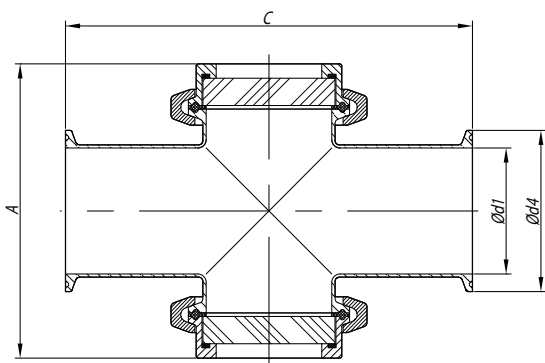
DN	Ød1	A	B	AISI 316L
25	26	122,5	100	L1830-000652025
32	32	129,5	110	L1830-000652032
40	38	136,5	120	L1830-000652040
50	50	150,5	140	L1830-000652050
65	66	183,5	160	L1830-000652065
80	81	151	180	L1830-000652080
100	100	198,5	200	L1830-000652100

Weld for OD pipe accordig to ASME BPE

DN	Ød1	A	B	AISI 316L
1"	22,1	136	108	L1821-000652025
1½"	34,8	150	120,6	L1821-000652038
2"	47,5	165	146	L1821-000652050
2½"	60,2	179	158,8	L1821-000652063
3"	72,9	193	171,4	L1821-000652076
4"	97,4	220	209,6	L1821-000652100

Clamp DIN 32676

DN	Ød1	Ød4	A	C	AISI 316L
25	26	50,5	122,5	143	L1830-770652025
32	32	50,5	129,5	153	L1830-770652032
40	38	50,5	136,5	163	L1830-770652040
50	50	64	150,5	183	L1830-770652050
65	66	91	183,5	216	L1830-770652065
80	81	106	151	236	L1830-770652080
100	100	119	198,5	256	L1830-770652100



Clamp OD ASME BPE

DN	Ød1	Ød4	A	C	AISI 316L
1"	22,1	50,5	136	133,4	L1821-770652025
1½"	34,8	50,5	150	146	L1821-770652040
2"	47,5	64	165	171,4	L1821-770652050
2½"	60,2	77,5	179	184,2	L1821-770652063
3"	72,9	91	193	196,8	L1821-770652076
4"	97,4	119	220	241,4	L1821-770652100

(Dimensions in mm)



The information contained in this brochure is for guidance only. We reserve the right to modify any material or feature without notice in advance. For further information, please, consult our web site. www.inoxpa.com

