



I Application

The NHS agitators are vertical agitators with worm gearmotor. They can be used in mixing, dissolution and maintenance processes where a mild to medium mixing is required. This agitator is designed for the food-processing, cosmetic and pharmaceutical industries and it is provided with the most suitable finish for each industry.
The NHS agitator can be used in tanks of up to 10.000 L with products of medium to high viscosity.

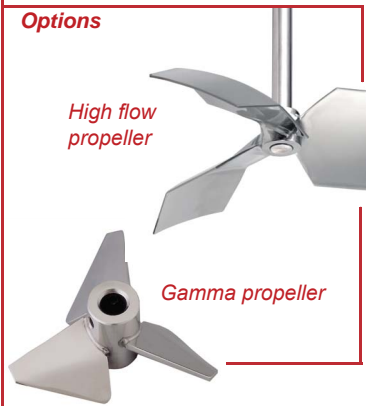
I Operating principle

The agitators are installed inside the tank either centrally with current deflectors (baffles), or offset so that the position itself prevents the rotation of the mixed product. The rotation of the propeller makes the fluid flow to the bottom and then up to the surface of the product along the walls of the tank. The effect is enhanced if the bottom of the tank is curved.

I Design and features

- Vertical agitator.
- Sealing: splash ring and lip seal.
- Propeller fixed to the shaft by Allen cap screws.
- IEC motor, IP55, F-class insulation.
- Max.power: 3 kW.
- Propeller with 2 or 4 inclined blades.

Options



I Materials

Parts in contact with the product	AISI 316
Lip seal	NBR
Gear housing	aluminium
Surface finish	Ra < 1.6 µm

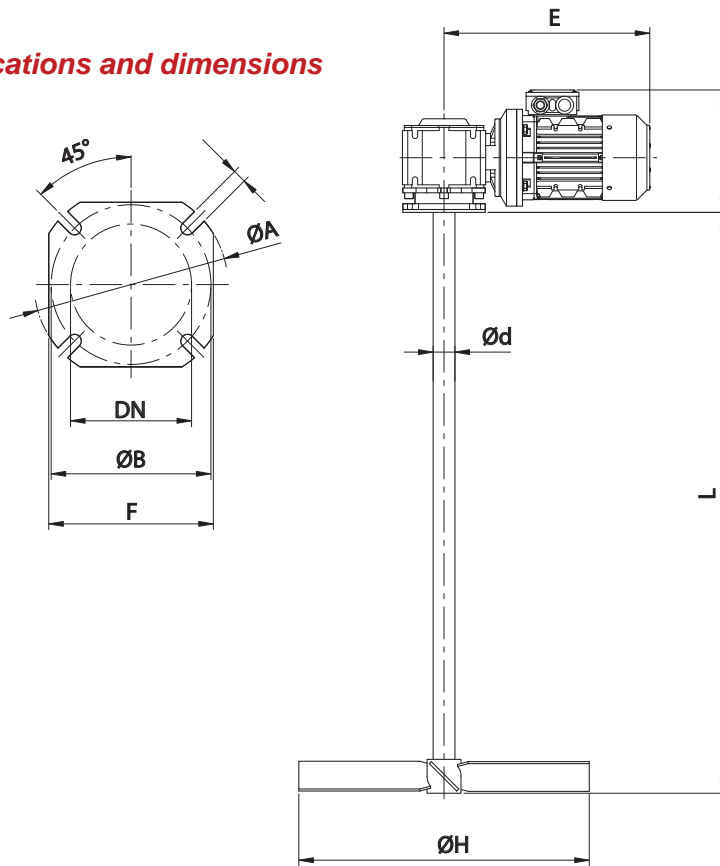


NHS geared motor

I Options

- Sealing: double/cooled mechanical seal or dry running type.
- Lip seal: FPM (FDA).
- Shaft and propeller lined with plastic material for use with corrosive products.
- Welded propeller with Ra < 0,4 µm or Ra < 0,8 µm surface finish.
- Gamma propeller (T16) or high flow propeller (T19).
- Geared-motor shroud.
- Other motor protections available on request.

I Technical specifications and dimensions



Agitator type	Motor [kW]	Speed [rpm]	Dimensions							Agitator shaft		Type	
			C*	E*	Flange					Ø d	Lmax	Inclined blades Ø H	Inclined blades Ø H
					Ø A	Ø B	Ø DN	F	Ø G				
NHS 1.11-07003-500	0,37	70	205	320	125	85	50	110	11	35	1200	500	
NHS 1.11-03003-600		35										600	
NHS 1.11-07007-600	0,75	70	240	360	180	150	100	142	11	40	1400	700	
NHS 1.11-03007-700		35	255	390	200	165	125	170	14	45	1800	700	
NHS 1.11-07011-700	1,1	70	250	395	180	150	100	142	11	40	1400	700	
NHS 1.11-07015-750	1,5	70	265	450	200	165	125	170	14	45	1800	750	
NHS 1.11-03015-800		35										800	
NHS 1.6-07003-500	0,37	70	205	320	125	85	50	110	11	35	1200	500	
NHS 1.6-07007-600	0,75		240	360	180	150	100	142	11	40	1400	600	
NHS 1.6-07011-700	1,1		250	395								700	
NHS 1.6-07015-800	1,5	70	265	450	200	165	125	170	14	45	1800	800	
NHS 1.6-14011-450	1,1	140	250	395	180	150	100	142	11	40	1400	450	
NHS 1.6-14015-600	1,5			420								600	

*Dimensions with the standard INOXPA motor. Dimensions may vary depending on the motor.



The information is for guidance only. We reserve the right to modify any material or feature without notice in advance. Photos are not binding. For further information, please, consult our web site. www.inoxpa.com

